

C
10.5"
267



Hannay Reels®
The reel leader.

Petroleum Hose Reels

| Home Fuel Delivery | In-plant Refueling | Marine Refueling |
| Off-road Vehicle/Equipment Refueling |



**You Can't Buy
A Better Reel.**

Family owned and operated since 1933

Series 6000

To handle single 1/2" through 1" I.D. hose.

- Heavy-duty reel for longer lengths of hose.
- Choose gear-driven crank rewind or chain and sprocket drive powered by an electric, hydraulic or compressed air motor.
- Crank rewind reels supplied with pinion brake; power rewind reels with a strap brake.
- Standard inlet: 90° ball bearing swivel joints, 1" female NPT threads.
- Standard outlet: 1" female NPT threads.
- Standard: inlet, outlet riser, and hub assembly are steel. Options: swivel joint also available in aluminum or stainless steel. Riser and hub assembly also available in stainless steel.
- Rollers and roller mounting brackets are accessories. Specify roller position.
- Standard pressures to 2000 psi (138 bar).
- Temperatures from -60°F to +250°F (-51°C to +121°C).
- Chain guard available upon request, must be specified.
- Reel models designed for diesel exhaust fluid (DEF) are also available – consult factory.



Standard configuration with EP option shown



Optional Auxiliary Rewind

Ring and pinion shaft rewind unit with removable crank handle.



Optional Assembly C2 roller top wind with mounting brackets and auxiliary crank rewind shown

Series 6000

PARTS DRAWING – ISO 84

Model Number For power rewind see Note 5	Hose Capacity of Reel feet m				Approx. Weight Crank Rewind lb. kg see Note 4		Reel Dimensions*** in. mm									
	I.D. in. mm	1/2 13	3/4 19	1 25	NET	SHIP	A	B	D	E	F CRANK	F POWER	G	H	X	Y
	O.D. in. mm	7/8 22	1-9/32 33	1-1/2 40												
6024-19-21		200	100	60	85	127	21	15.5	20.5	18.75	25.38	28.5	21.5	12.12	13	16.75
		61	30	18	39	58	533	394	521	476	645	724	546	308	330	425
6032-19-21		325	175	85	102	144	29.5	24	20.5	18.75	33.88	37	21.5	12.12	21.5	16.75
		99	53	26	46	65	749	610	521	476	861	940	546	308	546	425
6024-23-24		400	150	125	92	134	21	15.5	20.5	22.75	25.38	28.5	23.5	12.12	13	16.75
		122	46	38	42	61	533	394	521	578	645	724	597	308	330	425
6030-23-24		-	225	200	105	147	27.5	22	20.5	22.75	31.88	35	23.5	12.12	19.5	16.75
		-	68	61	48	67	699	559	521	578	810	889	597	308	495	425
6038-23-24		-	300	250	120	162	35	29.5	20.5	22.75	39.38	42.5	23.5	12.12	27	16.75
		-	91	76	54	73	889	749	521	578	1000	1080	597	308	686	425
6016-25-26		250	100	75	88	130	13	7.5	25.5	24.75	17.38	20.5	27.88	15.5	7.75	21.75
		76	30	23	40	59	330	191	648	629	441	521	708	394	197	552
6022-25-26		450	175	125	100	142	19	13.5	25.5	24.75	23.38	26.5	27.88	15.5	11	21.75
		137	84	38	45	64	483	343	648	629	594	673	708	394	279	552
6028-25-26		-	275	175	113	155	25.5	20	25.5	24.75	29.88	33	27.88	15.5	17.5	21.75
		-	84	53	51	70	648	508	648	629	759	838	708	394	445	552
6018-30-31		400	200	150	101	151	15	9.5	25.5	28.75	19.38	22.5	29.88	15.5	7	21.75
		122	61	46	46	68	381	241	648	730	492	572	759	394	178	552
6024-30-31		-	350	250	113	163	21	15.5	25.5	28.75	25.38	28.5	29.88	15.5	13	21.75
		-	107	76	51	74	533	394	648	730	645	724	759	394	330	552
6028-30-31		-	450	300	121	171	25.5	20	25.5	28.75	29.88	33	29.88	15.5	17.5	21.75
		-	137	91	55	78	648	508	648	730	759	838	759	394	445	552
† 6028-33-34		-	-	400	125	175	27.5	22	25.5	28.75	31.88	35	29.88	15.5	19.5	21.75
		-	-	122	57	79	699	559	648	730	810	889	759	394	495	552

Notes:

- Specifications subject to change.
- Upon request, reels can be supplied with drum lengths other than shown and with disc sizes in other diameters.
- Dimensions shown for reels up to and including 30-31 disc size reflect pressed frames. All others are rollformed channel frames.
- Weights shown in chart are for crank rewind models. ADD these amounts for power rewind models:

	Net lbs/kg	Ship lbs/kg
Electric 1/2 HP	40/18.1	40/18.1
Hydraulic	20/9.1	20/9.1
Air	20/9.1	20/9.1

- When ordering power rewind models, prefix model number with:
 - A** = Air Rewind – Supplied with control valve and 18" air hose.
 - EP** = Electric Rewind (1/2 HP) – 12v and 24v DC rewind supplied with non-explosion-proof switch and solenoid; 115v AC rewind is not supplied with switch but it can be ordered separately.
 - EPJ** = Explosion-Proof Electric Rewind (1/2 HP) – 12v and 24v DC rewind supplied with explosion-proof switch, solenoid, and junction box. 115v AC rewind supplied with explosion-proof switch and junction box.
 - HD** = Hydraulic Rewind – Not supplied with control valve.

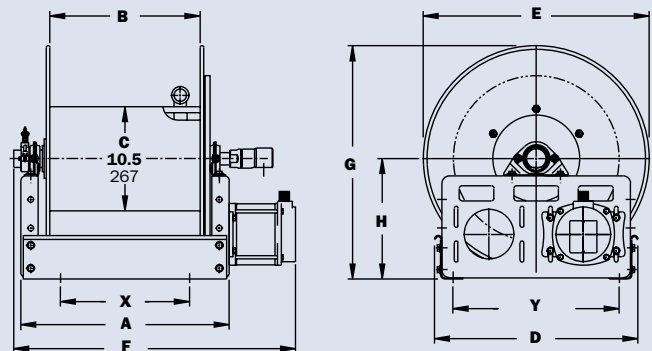
6. **Finish:** Refer to page 11.

7. **Be sure to check dimensions and weights prior to ordering.**

NOTICE: A flexible connector must be used between the inlet pipe and the inlet swivel joint.

*** X, Y indicate mounting holes. See page 11.

† Some applications require a clutch/reduction unit.



Series 1-1/2"

To handle single 1-1/4" through 1-1/2" I.D. hose.

- A strong, heavy-duty reel.
- Gear-driven crank rewind or chain and sprocket drive powered by an electric, hydraulic or compressed air motor.
- Optional auxiliary crank rewind for power rewind reels.
- Choose EP or EPJ option.
- Strap brake, standard on power rewind without auxiliary crank.
- Standard inlet: 90° ball bearing swivel joint, 1-1/2" female NPT threads and 2" Victaulic® groove.
- Standard outlet: flanged riser, 1-1/2" female NPT threads.
- Other sizes and/or threads can be furnished and must be specified.
- Standard: inlet, outlet riser, and hub assembly are steel. Options: also available in aluminum or stainless steel.
- Rollers and roller mounting brackets are accessories. Specify roller position.
- Chain guard is available upon request, must be specified.
- Standard pressures to 600 psi (41 bar).
- Temperatures from -30°F to +250°F (-34°C to +121°C).
- Consult factory for other pressures and temperatures.
- Reel models designed for diesel exhaust fluid (DEF) are also available – consult factory.



Standard configuration with EPJ option shown



Standard configuration with EPJ option and Optional Assembly C2 roller and mounting brackets shown

Series 1-1/2"

PARTS DRAWING – ISO 18

Model Number For Power Rewind see Notes 4 & 5	Hose Capacity of Reel feet m				Approx. Weight Crank Rewind lb. kg See Note 4		Reel Dimensions*** in. mm									
	I.D. in. mm	1-1/4 32	1-3/8 35	1-1/2 38	NET	SHIP	A	B	D	E	F CRANK	F POWER	G	H	X	Y
	O.D. in. mm	1.89 48	2 51	2.10 53												
26-19-21	60	50	50	99	141	23	17.5	20.5	18.75	29.5	31.88	21.5	12.12	15	16.75	
	18	15	15	45	64	584	445	521	476	749	810	546	308	381	425	
32-19-21	75	75	75	112	154	29.5	24	20.5	18.75	36.0	38.38	21.5	12.12	21.5	16.75	
	23	23	23	51	70	749	610	521	476	914	975	546	308	546	425	
40-19-21	100	100	100	128	170	37.5	32	20.5	18.75	44.0	46.38	21.5	12.12	29.5	16.75	
	30	30	30	58	77	953	813	521	476	1118	1178	546	308	749	425	
24-23-24	85	75	50	102	144	21	15.5	20.5	22.75	27.5	29.88	23.5	12.12	13	16.75	
	26	23	15	46	65	533	394	521	578	699	759	597	308	330	425	
32-23-24	125	125	75	119	161	29.5	24	20.5	22.75	36.0	38.38	23.5	12.12	21.5	16.75	
	38	38	23	54	73	749	610	521	578	914	975	597	308	546	425	
38-23-24	175	150	100	130	172	35	29.5	20.5	22.75	41.5	43.88	23.5	12.12	27	16.75	
	53	46	30	59	78	889	749	521	578	1054	1115	597	308	686	425	
20-25-26	75	60	50	106	148	17	11.5	25.5	24.75	23.5	25.88	27.88	15.5	9	21.75	
	23	18	15	48	67	432	292	648	629	597	657	708	394	229	552	
24-25-26	100	75	75	114	156	21	15.5	25.5	24.75	27.5	29.88	27.88	15.5	13	21.75	
	30	23	23	52	71	533	394	648	629	699	759	708	394	330	552	
28-25-26	150	110	100	123	165	25.5	20.0	25.5	24.75	32.0	34.38	27.88	15.5	17.5	21.75	
	46	34	30	56	75	648	508	648	629	813	873	708	394	445	552	
16-30-31	50	50	50	106	156	13	7.5	25.5	28.75	19.5	21.88	29.88	15.5	7.75	21.75	
	15	15	15	48	71	330	191	648	730	495	556	759	394	197	552	
20-30-31	100	75	75	114	164	17	11.5	25.5	28.75	23.5	25.88	29.88	15.5	9	21.75	
	30	23	23	52	74	432	292	648	730	597	657	759	394	229	552	
†22-30-31	125	100	100	118	168	19	13.5	25.5	28.75	25.5	27.88	29.88	15.5	11	21.75	
	38	30	30	54	76	483	343	648	730	648	708	759	394	279	552	
†28-30-31	200	175	150	131	181	25.5	20.0	25.5	28.75	32.0	34.38	29.88	15.5	17.5	21.75	
	61	53	46	59	82	648	508	648	730	813	873	759	394	445	552	
†24-33-34	175	175	150	129	179	20.5	15.5	31.5	31.75	27.25	29.63	33.62	17.75	13	27.75	
	53	53	46	59	81	521	394	800	806	692	753	854	451	330	705	

Notes:

- Specifications subject to change.
- Upon request, reels can be supplied with drum lengths other than shown and with disc sizes in other diameters.
- Dimensions shown for reels up to and including 30-31 disc size reflect pressed frames. All others are rollformed channel frames.
- Weights shown in chart are for crank rewind models. ADD these amounts for power rewind models:

	Net lbs/kg	Ship lbs/kg
Electric	40/18.1	40/18.1
Hydraulic	20/9.1	20/9.1
Air	20/9.1	20/9.1

- When ordering power rewind models, prefix model number with:
 - A** = Air Rewind – Supplied with control valve and 18" air hose.
 - EP** = Electric Rewind (1/2 HP) – 12v and 24v DC rewind supplied with non-explosion-proof switch and solenoid; 115v AC rewind is not supplied with switch but it can be ordered separately.
 - EPJ** = Explosion-Proof Electric Rewind (1/2 HP) – 12v and 24v DC rewind supplied with explosion-proof switch, solenoid, and junction box. 115v AC rewind supplied with explosion-proof switch and junction box.
 - HD** = Hydraulic Rewind – Not supplied with control valve.

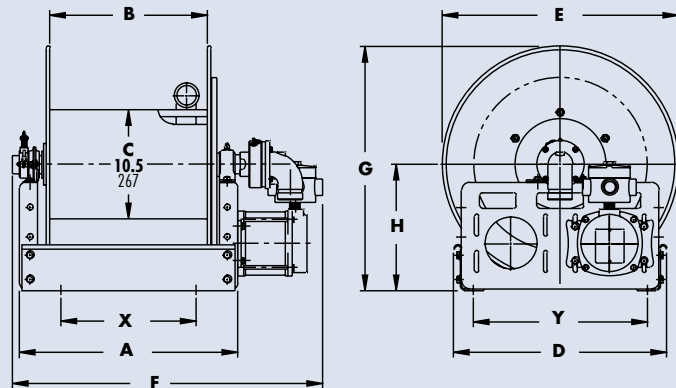
6. For Air Rewind on models over 100 ft. of 1-1/2", consult factory.

7. Be sure to check dimensions and weights prior to ordering.

NOTICE: A flexible connector must be used between the inlet pipe and the inlet swivel joint. Some applications may require a different motor and/or a clutch/reduction unit.

***X, Y indicate mounting holes.

† Some applications may require a different motor and/or a clutch/reduction unit.



Series 2"

To handle single 1-1/2" or 2" I.D. hose.

- Gear-driven crank rewind or chain and sprocket drive powered by an electric, hydraulic or compressed air motor.
- Optional auxiliary crank rewind for power rewind reels.
- Strap brake on power rewind without auxiliary crank.
- Standard inlet: 90° ball bearing swivel joint, 2" Victaulic® groove.
- Standard outlet: flanged riser, 2" female NPT threads.
- Other sizes and/or threads can be furnished and must be specified.
- Standard: inlet, outlet riser, and hub assembly are steel. Options: also available in aluminum or stainless steel.
- Rollers and roller mounting brackets are accessories. Specify roller position.
- Standard pressures to 600 psi (41 bar).
- Temperatures from -30°F to +250°F (-34°C to +121°C).
- Consult factory for other pressures and temperatures.



Standard configuration with EPJ option shown



Chain Clutch - Reduction Units

- Recommended on reels with 39" diameter or larger discs, or when increased torque and slower rewind speeds are required.
- Factory installed.

PARTS DRAWING – ISO 35

Model Number <small>For Power Rewind see Notes 3 & 4</small>	Hose Capacity of Reel feet m			Approx. Weight Crank Rewind lb. kg <small>See Note 3</small>		Reel Dimensions*** in. mm									
	I.D. in. mm	1-1/2 38	2 51	NET	SHIP	A	B	D	E	F CRANK	F POWER	G	H	X	Y
	O.D. in. mm	2.06 52	2.67 68			A	B	D	E	F CRANK	F POWER	G	H	X	Y
232-26-27	70 21	50 15	104 47	154 70	23.75 603	17.5 445	27 686	25.75 654	31 787	32.75 832	26.62 676	13.75 349	16.25 413	23.25 591	
238-26-27	100 30	75 23	145 66	195 88	30.25 768	24 610	27 686	25.75 654	37.5 953	39.25 997	26.62 676	13.75 349	22.75 578	23.25 591	
246-26-27	140 43	100 30	196 89	246 112	38.25 972	32 813	27 686	25.75 654	45.5 1156	47.25 1200	26.62 676	13.75 349	30.75 781	32.25 591	
224-33-34	60 18	50 15	70 32	140 64	15.75 400	9.5 241	31.5 800	31.75 806	23 584	24.75 629	33.38 848	17.5 445	8.25 210	27.75 705	
228-33-34	100 30	75 23	92 42	162 73	19.75 502	13.5 343	31.5 800	31.75 806	27 686	28.75 730	33.38 848	17.5 445	12.25 311	27.75 705	
234-33-34	140 43	100 30	133 60	203 92	26.25 667	20 508	31.5 800	31.75 806	33.5 851	35.25 895	33.38 848	17.5 445	18.75 476	27.75 705	
232-39-40	250 76	150 46	180 82	250 113	23.75 603	17.5 445	40 1016	39 991	31 787	32.75 832	39.88 1013	20.38 518	16.25 413	37 940	
240-39-40	350 107	200 61	218 99	288 131	32.25 819	26 660	40 1016	39 991	39.5 1003	41.25 1048	39.88 1013	20.38 518	22.75 578	37 940	

Notes:

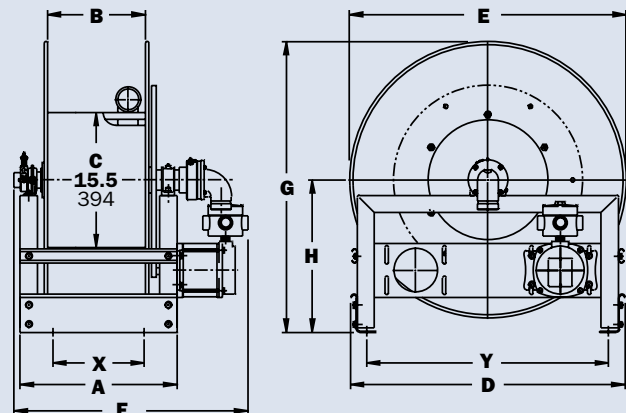
1. Specifications subject to change.
2. Upon request, reels can be supplied with drum lengths other than shown and with disc sizes in other diameters.
3. Weights shown in chart are for crank rewind models. ADD these amounts for power rewind models:

	Net lbs/kg	Ship lbs/kg
Electric	40/18.1	40/18.1
Hydraulic	20/9.1	20/9.1
Air	20/9.1	20/9.1

4. When ordering power rewind models, prefix model number with:
 - A** = Air Rewind – Supplied with control valve and 18" air hose.
 - EP** = Electric Rewind (1/2 HP) – 12v and 24v DC rewind supplied with non-explosion-proof switch and solenoid; 115v AC rewind is not supplied with switch but it can be ordered separately.
 - EPJ** = Explosion-Proof Electric Rewind (1/2 HP) – supplied with explosion-proof switch, solenoid, and junction box.
 - HD** = Hydraulic Rewind – Not supplied with control valve.

5. Be sure to check dimensions and weights prior to ordering.

NOTICE: A flexible connector must be used between the inlet pipe and the inlet swivel joint. ***X, Y indicate mounting holes.



Series N800/800

To handle 3/4" or 1" I.D. hose.

- Non-sparking ratchet assembly.
- Declutching arbor to prevent damage from reverse winding.
- Standard inlet: full flow swivel joint, 1" female NPT threads.
- Standard outlet: 1" female NPT threads.
- Standard: inlet, outlet riser, and hub assembly are steel.
Options: also available in stainless steel.
- Standard pressures to 2000 psi (138 bar).
- Temperatures from -40°F to +250°F (-40°C to +121°C).
- 4-way roller assembly.
- Constant tension is available – consult factory.
- Reel models designed for diesel exhaust fluid (Series DEF) are also available – consult factory.

Series N800

- Narrow frame and compact mounting base.

Series 800

- Rollformed channel frame for heavy-duty applications.



Series N800
Optional TR roller position shown



Series 800
Standard SR configuration shown

PARTS DRAWING – SERIES N800 - ISO 81; SERIES 800 - ISO 42

Model Number	Hose Capacity of Reel			Approx. Weight		Standard Roller Assy.	Reel Dimensions***									
	feet m			lb.	kg		in. mm									
	I.D. in. mm	3/4 19 mm	1 25 mm				A	B	C	D	E	F	G	H	X	Y
N816-25-26-10.5B	60	35	96	131	131	N204	10	4	10.5	12	25.25	14.25	26	13.62	8	10
	18	11	44	59	59		254	102	267	305	641	362	660	346	203	254
N818-25-26-10.5B	70	50	102	137	137	N206	12	6	10.5	12	25.25	16.25	26	13.62	10	10
	21	15	46	62	62		305	152	267	305	641	413	660	346	254	254
816-25-26-10.5B	60	35	96	131	131	R204	9.25	4	10.5	25	26.12	14.75	25.88	13.5	4.5	21.75
	18	11	44	59	59		235	102	267	635	663	375	657	343	114	552
818-25-26-10.5B	70	50	102	137	137	R206	11.25	6	10.5	25	26.12	16.75	25.88	13.5	6.5	21.75
	21	15	46	62	62		286	152	267	635	663	425	657	343	165	552
820-25-26-10.5A	85	75	131	166	166	R308	13.25	8	10.5	25	27	19.5	25.88	13.5	8.5	21.75
	26	23	59	75	75		337	203	267	635	686	495	657	343	216	552
820-30-31-10.5A	-	100	137	172	172	R308	13.25	8	10.5	28.5	30.5	19.5	31.38	17	8.5	25.25
	-	30	62	78	78		337	203	267	724	775	495	797	432	216	641
820-30-31-15.5A	100	-	145	180	180	R308	13.25	8	15.5	28.5	30.5	19.5	31.38	17	8.5	25.25
	30	-	66	82	82		337	203	394	724	775	495	797	432	216	641

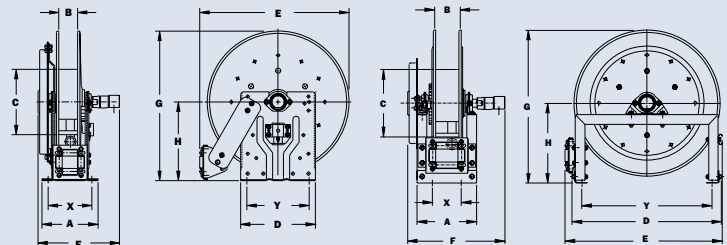
Notes:

A hose stop is necessary to keep spring from unwinding.

1. Specifications subject to change.
2. Reel models and capacities shown are for standard drag applications; for vertical lift applications, consult factory.
3. Other sizes, from standard components, available on request.
4. **Finish:** Refer to page 11.
5. **Be sure to check dimensions and weights prior to ordering.**

NOTICE: A flexible connector must be used between the inlet pipe and the inlet swivel joint.

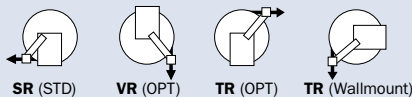
*** X, Y indicate mounting holes. See page 11.



Series N800

Series 800

Available Roller Positions



Series 900

To handle 1-1/4" or 1-1/2" I.D. hose.

- Rollformed channel frame construction.
- Non-sparking ratchet assembly.
- Declutching arbor to prevent damage from reverse winding.
- Standard inlet: 90° swivel joint, 1-1/2" female NPT threads and 2" Victaulic® groove.
- Standard outlet: 1-1/2" female NPT threads.
- Standard: inlet, outlet riser, and hub assembly are steel. Options: also available in aluminum or stainless steel.
- Standard pressures to 600 psi (41 bar).
- Temperatures from -25°F to +250°F (-32°C to +121°C).
- 4-way roller assembly.
- Constant tension is available – consult factory.
- Reel models designed for diesel exhaust fluid (DEF) are also available – consult factory.



Standard configuration shown

PARTS DRAWING – ISO 29

Model Number	Hose Capacity of Reel			Approx. Weight		Standard Roller Assy.	Reel Dimensions***								
	feet m			lb. kg			In. mm								
	I.D. in. mm	1-1/4 32	1-1/2 38	NET	SHIP		A	B	D	E	F	G	H	X	Y
922-23-24B	40	25	104	139	R310	15.25	10	23.25	25.25	24	23.88	12.5	10.5	20	
	12	8	47	63		387	254	591	641	610	607	318	267	508	
920-25-26A	50	40	127	162	R308	13.25	8	25	27	22.75	25.88	13.5	8.5	21.75	
	15	12	58	73		337	203	635	686	578	657	343	216	552	
922-30-31A	75	50	156	191	R310	15.25	10	28.5	30.5	24.75	31.38	17	10.5	25.25	
	23	15	71	87		387	254	724	775	629	797	432	267	641	

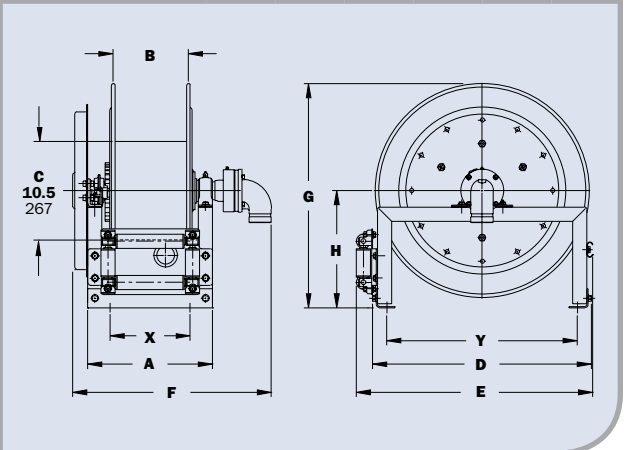
Notes:

A hose stop is necessary to keep spring from unwinding.

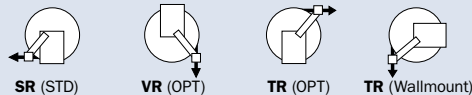
1. Specifications subject to change.
2. Reel models and capacities shown are for standard drag applications; for vertical lift applications, consult factory.
3. Other sizes, from standard components, available on request.
4. **Finish:** Refer to page 11.
5. **Be sure to check dimensions and weights prior to ordering.**

NOTICE: A flexible connector must be used between the inlet pipe and the inlet swivel joint.

*** X, Y indicate mounting holes. See page 11.



Available Roller Positions



Series IV

• For Inverted Installation

To handle single 1-1/4" I.D. through 2" I.D. hose.

- Chain and sprocket drive powered by an electric, hydraulic, or compressed air motor.
- Strap brake and air caliper brake are standard.
- Standard inlet: 90° ball bearing swivel joint, 1-1/2" female NPT threads and 2" Victaulic® groove.
- Optional 2" internals also available.
- Standard outlet: flanged riser, 1-1/2" female NPT threads.
- Standard: inlet, outlet riser, and hub assembly are steel. Options: also available in aluminum or stainless steel.
- Optional auto chain tensioner is available – consult factory.
- Standard pressures to 600 psi (41 bar).
- Temperatures from -30°F to +250°F (-34°C to +121°C).
- Consult factory for other pressures and temperatures.
- Refer to page 11 for installation options.



Optional auto chain tensioner



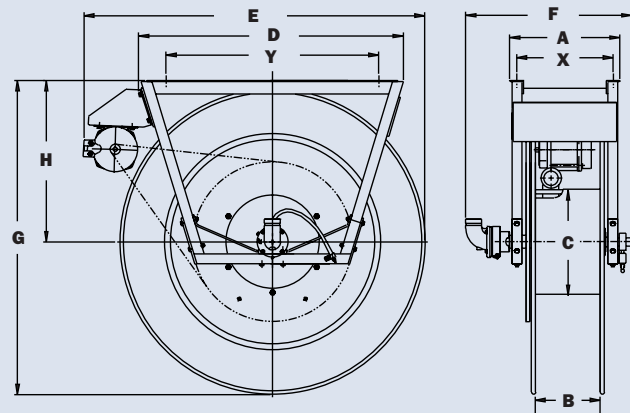
Standard configuration shown
Installation "A" (see page 11)

PARTS DRAWING – ISO 103

Model Number <small>For Power Rewind see Note 3</small>	Hose Capacity of Reel feet m					Approx. Weight lb. kg		Reel Dimensions*** in. mm									
	I.D. in. mm	1-1/4 32	1-3/8 35	1-1/2 38	2 51	NET	SHIP	A	B	C	D	E	F	G	H	X	Y
	O.D. in. mm	1.81 40	2 51	2.06 52	2.56 65												
IV 24-33-34	180 55	170 52	170 52	170 52	–	198 90	252 114	22.25 565	15.5 394	10.5 267	32.37 822	41 1041	29.5 749	33.88 861	18 457	20.25 514	24.25 616
IV 22-35-36	210 64	145 44	145 44	–	–	206 93	261 118	20.25 514	13.5 343	10.5 267	32.37 822	41.75 1060	27.5 699	34.88 886	18 457	18.25 464	24.25 616
*IV 18-39-40	185 56	115 35	115 35	70 21	70 21	260 118	320 145	16.25 413	9.5 241	15.5 394	34.25 870	45.5 1156	23.5 597	40.75 1035	21.25 540	14.25 362	27 686
*IV 20-39-40	225 69	150 46	150 46	95 29	95 29	271 123	331 150	18.25 464	11.5 292	15.5 394	34.25 870	45.5 1156	25.5 648	40.75 1035	21.25 540	16.25 413	27 686
*IV 16-45-46	175 53	140 43	140 43	60 18	60 18	258 117	325 147	14.25 362	7.5 191	15.5 394	39 991	51 1295	21.5 546	46.25 1175	23.75 603	12.25 311	31.38 797
*IV 18-45-46	250 76	190 58	190 58	95 29	95 29	276 125	343 156	16.25 413	9.5 241	15.5 394	39 991	51 1295	23.5 597	46.25 1175	23.75 603	14.25 362	31.38 797

Notes:

1. Specifications subject to change.
 2. Upon request, reels can be supplied with drum lengths other than shown and with disc sizes in other diameters.
 3. When ordering power rewind models, prefix model number with:
 - A** = Air Rewind – Supplied with control valve and 18" air hose.
 - EP** = Electric Rewind (1/2HP) – 12V DC rewind supplied with non-explosion proof switch and solenoid; 115v AC rewind is not supplied with switch but it can be ordered separately.
 - EPJ** = Explosion Proof Electric Rewind (1/2 HP) – Supplied with explosion proof switch, solenoid, and junction box.
 - HD** = Hydraulic Rewind – Not supplied with control valve.
 4. **Be sure to check dimensions and weights prior to ordering.**
- NOTICE:** A flexible connector must be used between the inlet pipe and the inlet swivel joint.
- * When ordering with 2" inlet/outlet, place a "2" after IV (ie: IV 220-39-40).
- ***X, Y indicate mounting holes.



Series **IV5000** | Single Wrap

• **For Inverted Installation**

To handle single 1-3/8" I.D. through 2" I.D. hose.

- Effortless and fast rewinding, wrapping, guiding of hose.
- Chain and sprocket drive powered by electric, hydraulic, compressed air motor.
- Auxiliary crank rewind is optional.
- 12 volt rewind; strap brake standard. Air brake optional.
- **5100 Series** - 90° ball bearing swivel joint, 1-1/2" female NPT threads, 2" Victaulic® groove, flanged riser with 1-1/2" female NPT threads.
- **5200 Series** - 90° ball bearing swivel joint, 2" Victaulic® groove, flanged riser with 2" female NPT threads.
- Inlet, hub assembly is aluminum.
- Joint and riser are ductile iron for petroleum fuel.
- Standard: pressures to 600 psi (41 bar).
- Temperatures from -30°F to +250°F (-34°C to +121°C).
- Standard with a reduction unit only. Electric clutch units optional.
- Consult factory for other pressures and temperatures.
- Refer to page 11 for installation options.



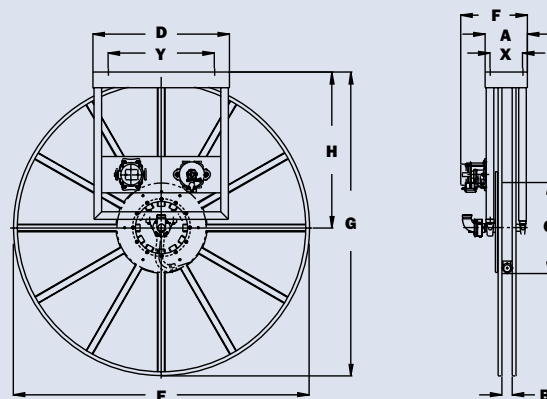
Standard model shown with optional hose

PARTS DRAWING – ISO 197

Model Number For Power Rewind see Note 2	Hose Capacity of Reel feet m				Approx. Weight lb. kg		Reel Dimensions*** in. mm									
	I.D. in. mm	1-3/8 35	1-1/2 38	2 51	NET	SHIP	A	B	C	D	E	F POWER	G	H	X	Y
	O.D. in. mm	2.00 51	2.06 52	2.67 68												
IV5111-48-50-20	-	50	-	-	247	297	11.13	2.75	20	36	48	17.5	50	26	8.13	28
	-	15	-	-	112	135	283	70	508	914	1219	445	1270	660	296	711
IV5111-56-58-20	-	75	-	-	263	313	11.13	2.75	20	36	56	17.5	58	30	8.13	28
	-	23	-	-	119	142	283	70	508	914	1422	445	1473	762	206	711
IV5111-62-64-20	100	100	-	-	276	326	11.13	2.75	20	36	62	17.5	64	33	8.13	28
	30	30	-	-	125	148	283	70	508	914	1575	445	1626	838	206	711
IV5111-72-73-24	150	-	-	-	386	461	11.13	2.5	24	36	72	17.5	73	38	8.13	28
	46	-	-	-	175	209	283	64	610	914	1829	445	1854	965	206	711
IV5111-78-80-24	170	-	-	-	413	513	11.13	2.5	24	36	78	17.5	80	41	8.13	28
	52	-	-	-	187	233	283	64	610	914	1981	445	2032	1041	206	711
IV5218-56-58-24	-	-	50	-	268	318	12	3.75	20	36	56	19.25	58	41	9	28
	-	-	15	-	122	144	305	95	508	914	1422	489	1473	1041	229	711
IV5218-62-64-24	-	-	75	-	280	330	12	3.75	20	36	62	19.25	64	33	9	28
	-	-	23	-	127	150	305	95	508	914	1575	489	1626	838	229	711
IV5218-70-72-24	-	-	100	-	295	370	12	3.75	20	36	70	19.25	72	37	9	28
	-	-	30	-	134	168	305	95	508	914	1778	489	1829	940	229	711

Notes:

- Specifications subject to change.
 - When ordering power rewind models, prefix model number with:
 - A** = Air Rewind – Supplied with control valve and 18" air hose.
 - EP** = Electric Rewind (1/2 HP) – 12v DC rewind reels are supplied with switch and solenoid.
 - HD** = Hydraulic Rewind – Not supplied with control valve.
 - Be sure to check dimensions and weights prior to ordering.**
- NOTICE:** A flexible connector must be used between the inlet pipe and the inlet swivel joint.
- *** X, Y indicate mounting holes.



Guide for Series IV Inverted Installations

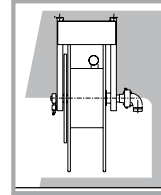
For reels with 1-1/2" I.D. hub assembly to handle 1-1/4" through 2" I.D. hose.

When ordering a reel for inverted installation, please specify which of the following component locations you prefer. Please specify component location by letter. If not otherwise specified, reels will be shipped as shown in A.

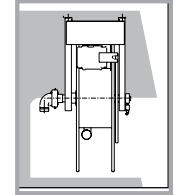
Installation A

Hose unwinds from top of reel to curbside and from bottom of reel to streetside. Swivel joint is on side nearest tank. Rewind mechanism and braking devices are at the rear of the truck. Rewind motor is on streetside.

FROM CURBSIDE

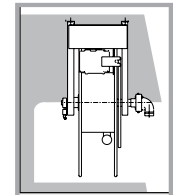
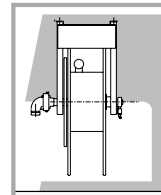


FROM STREETSIDE



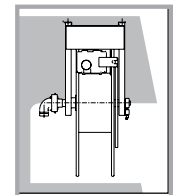
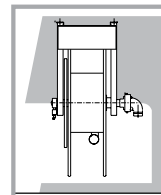
Installation B

Hose unwinds from top of reel to curbside and from bottom of reel to streetside. Swivel joint, rewind mechanism, braking, and locking devices are at the rear of the truck. Rewind motor is on streetside.



Installation C

Hose unwinds from bottom of reel to curbside and from top of reel to streetside. Swivel joint is on side nearest tank. Rewind mechanism, braking, and locking devices are at the rear of the truck. Rewind motor is on streetside.



Note to Designers and Engineers

The reels shown in this catalog are the standard of the industry. These models reflect various installation and performance requirements.

The high quality of our **standard steel construction** is only the beginning.

Hannay Reels offers any size configuration to fit a defined space, and we construct many models of reels of **aluminum** or **stainless steel**. Specifically, we use 5000 and 6000 Series aluminum and 304 stainless steel in the manufacture of frames, discs, drums,

and internals as well as other structural components. This type of construction eliminates the need for maintenance repainting and part replacement due to rust or corrosion.

Please consult factory on any fuel handling questions.

For the many accessories and components available on our standard reel models such as roller guides, switches, brakes, and locks, etc., please refer to our Ordering & Accessory Guide H-0415-OA.

Notice on Reel Finish

Standard finish on Hannay reels is a high performance modified acrylic enamel paint. Standard color is metallic graphite. Other colors available at no additional cost include red, white, black, and primer.

Most of the major components on standard reels are e-coated prior to receiving final topcoat paint finish. This combination of e-coat and enamel topcoat will meet the finish requirements of most customer applications and environments.

In cases where requirements cannot be met with the standard finish, Hannay Reels can coat any model reel with an automotive primer, allowing application of final coating at your facility. Alternatively, Hannay Reels can provide a quote for matching a customer-provided paint specification. For further information, please contact your Hannay Reels sales engineer and a special paint request form will be sent to you.

For environments where no paint finish is suitable, we offer both aluminum and stainless steel (304 grade) construction on most reel models.

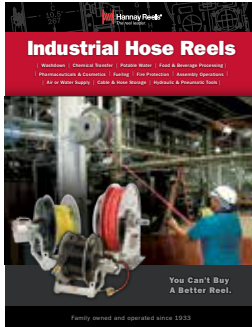
Mounting Hole Sizes

N Series Reels	7/16" wide x 7/8" long slot running front to back
Pressed Frame Reels and Channel Framed Reels	7/16" wide x 7/8" long slot running left to right
IV Reels	9/16" diameter
IV5000 Reels	5/8" diameter

You Can't Buy A Better Reel.

Find reels for every need

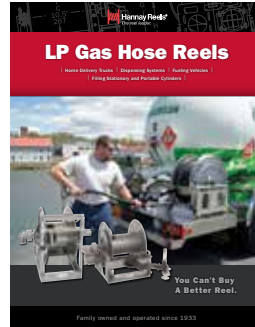
Learn more about all of our reels, including specs, drawings, and even how to select the right reels and accessories for your industry.



Industrial Hose Reels

Includes specs and information on:

- High pressure spring rewind reels
- Compact manual rewind reels
- Power rewind reels
- Portable storage reels
- Hose assemblies



LP Gas

Details on:

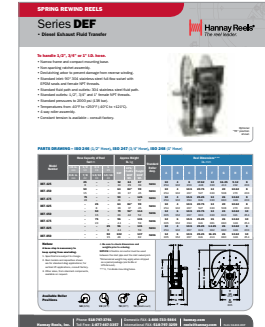
- Manual or power rewind reels
- Power rewind liquid reels
- Manual rewind vapor reels
- Spring rewind reels



Ordering & Accessory Guide

Learn more about:

- Selecting the right reel
- Reel components
- Available accessories
- How to spec and order reels and accessories
- Ordering options
- Hannay Reels policies



Diesel Exhaust Fluid (Series DEF)

Includes specs and information on:

- DEF hose reels to help meet strict emissions regulations for the transportation industry

View all our reel catalogs online at hannay.com



Family owned and operated since 1933, Hannay Reels is the world leader in both OEM and aftermarket applications. Hannay offers thousands of standard hose reel and cable reel models, as well as unmatched custom capabilities. We can easily and affordably customize a reel to meet your exact specifications – built to last, delivered fast. Additional catalogs are available through your local Hannay Reels dealer or online at hannay.com.



553 State Route 143 | Westerlo, New York 12193
Email: reels@hannay.com | hannay.com



All Hannay reels are constructed of quality heavy gauge steel (optional aluminum or stainless steel also available on most models).

Phone: 518-797-3791
Toll Free: 1-877-467-3357

Domestic FAX: 1-800-733-5464
International FAX: 518-797-3259

Form H-0417-FD REV 4 WEB 10-18

